

Object dictionary (OD)

Overview

| Index range | Description |
|--|------------------------------------|
| 0000 _h | Reserved |
| 0001 _h to 025F _h | Data types |
| 0260 _h to 0FFF _h | Reserved |
| 1000 _h to 1FFF _h | Communication profile area |
| 2000 _h to 5FFF _h | Manufacturer-specific profile area |
| 6000 _h to 9FFF _h | Standardized profile area |
| A000 _h to AFFF _h | Network variables |
| B000 _h to BFFF _h | System variables |
| C000 _h to FFFF _h | Reserved |

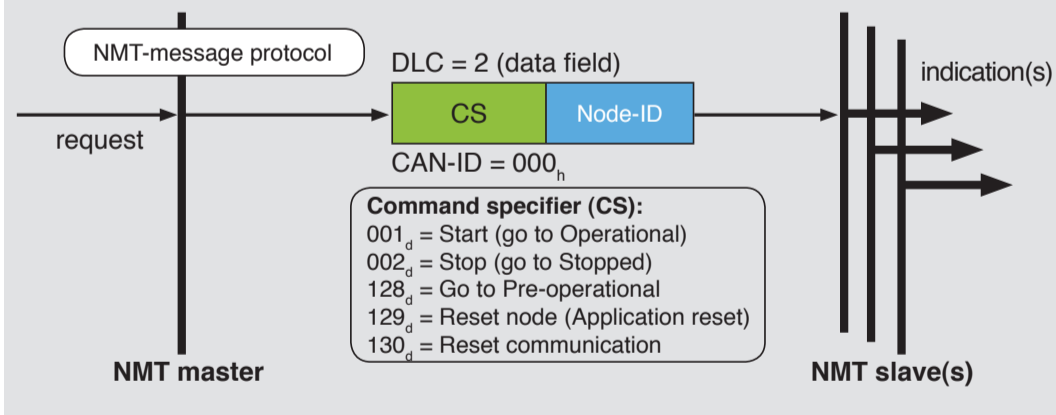
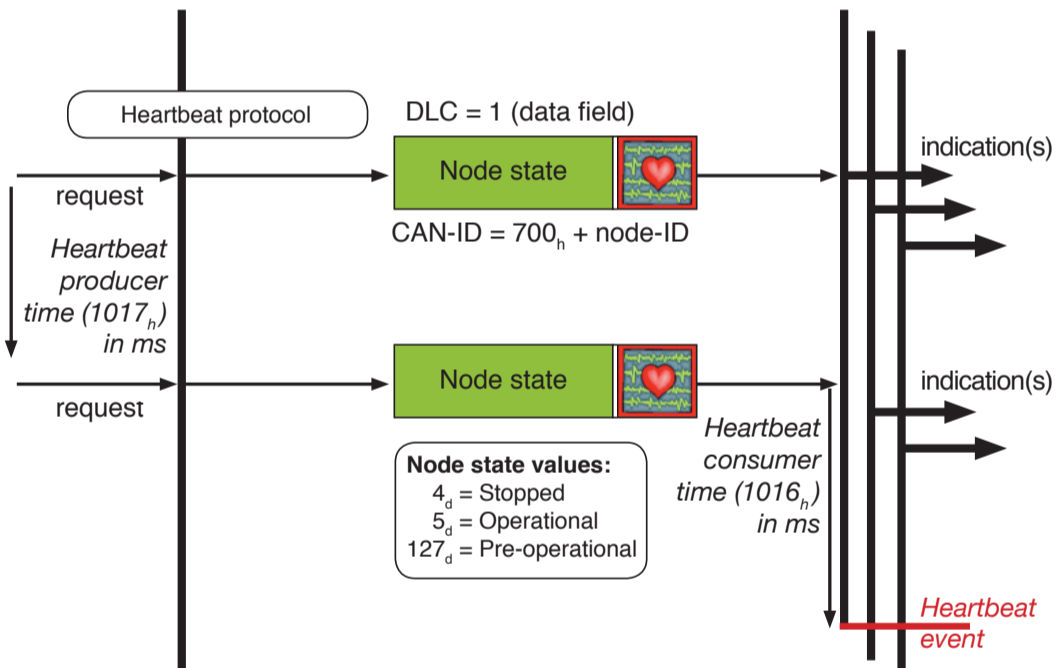
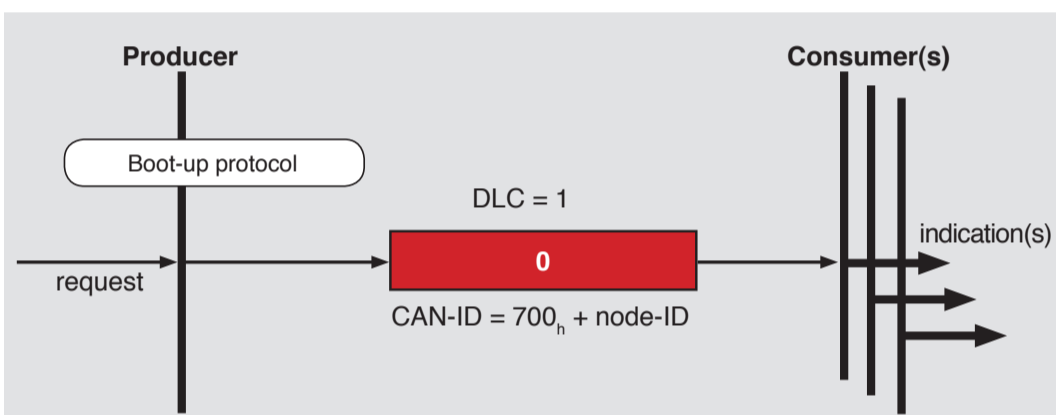
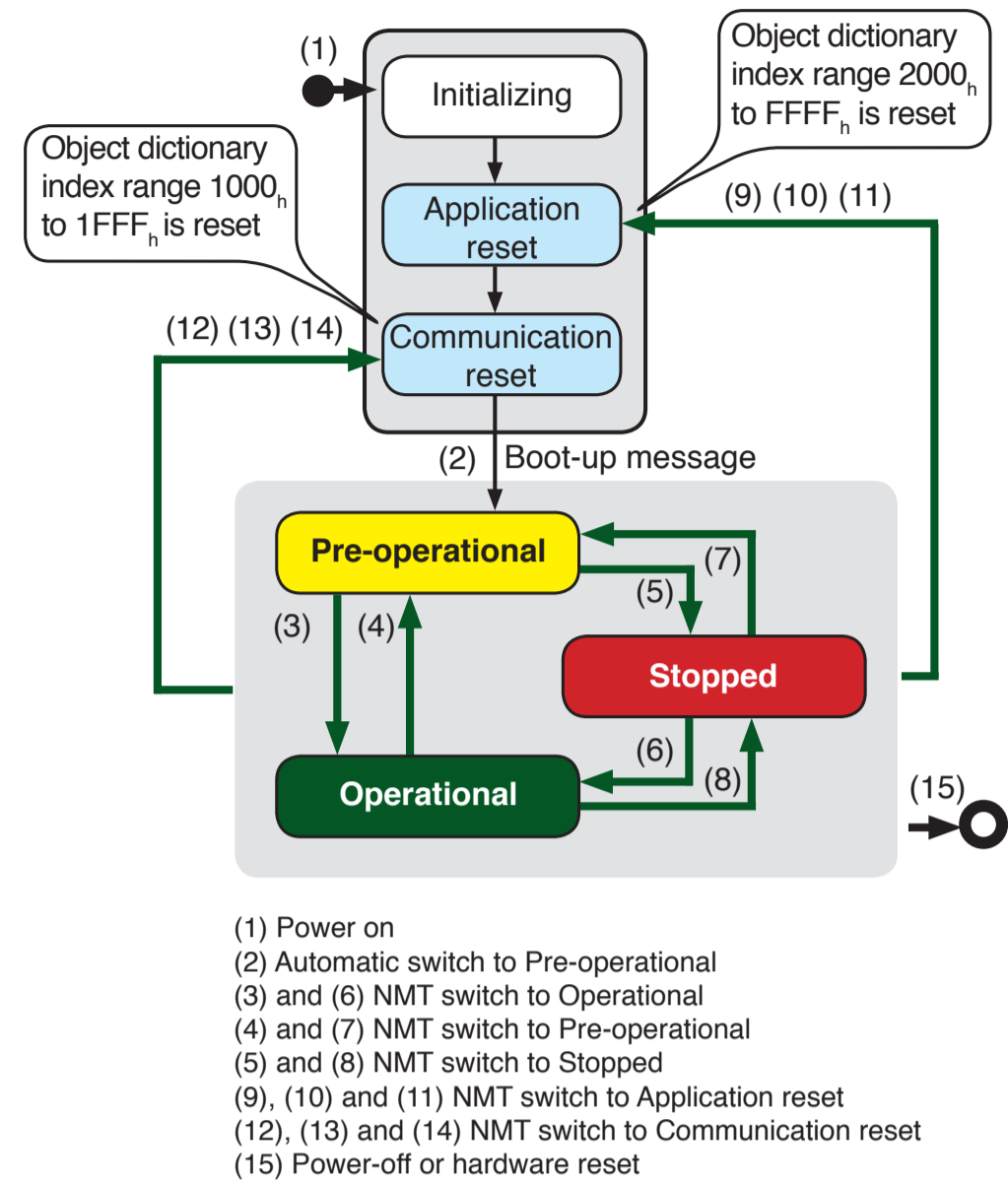
Communication profile area

| Index range | Description |
|--|-------------------------------|
| 1000 _h to 1029 _h | General communication objects |
| 1200 _h to 12FF _h | SDO parameter objects |
| 1300 _h to 13FF _h | CANopen safety objects |
| 1400 _h to 1BFF _h | PDO parameter objects |
| 1F00 _h to 1F11 _h | SDO manager objects |
| 1F20 _h to 1F27 _h | Configuration manager objects |
| 1F50 _h to 1F54 _h | Program control objects |
| 1F80 _h to 1F89 _h | NMT master objects |

General communication objects

| Index | Object | Name |
|-------------------|--------|-------------------------------|
| 1000 _h | VAR | Device type |
| 1001 _h | VAR | Error register |
| 1002 _h | VAR | Manufacturer status register |
| 1003 _h | ARRAY | Pre-defined error field |
| 1005 _h | VAR | COB-ID Sync message |
| 1006 _h | VAR | Communication cycle period |
| 1007 _h | VAR | Synchronous window length |
| 1008 _h | VAR | Manufacturer device name |
| 1009 _h | VAR | Manufacturer hardware version |
| 100A _h | VAR | Manufacturer software version |
| 100C _h | VAR | Guard time |
| 100D _h | VAR | Life time factor |
| 1010 _h | VAR | Store parameters |
| 1011 _h | VAR | Restore default parameters |
| 1012 _h | VAR | COB-ID time stamp |
| 1013 _h | VAR | High resolution time stamp |
| 1014 _h | VAR | COB-ID emergency |
| 1015 _h | VAR | Inhibit time emergency |
| 1016 _h | ARRAY | Consumer heartbeat time |
| 1017 _h | VAR | Producer heartbeat time |
| 1018 _h | RECORD | Identity object |
| 1019 _h | VAR | Sync. counter overflow value |
| 1020 _h | ARRAY | Verify configuration |
| 1021 _h | VAR | Store EDS |
| 1022 _h | VAR | Storage format |
| 1023 _h | RECORD | OS command |
| 1024 _h | VAR | OS command mode |
| 1025 _h | RECORD | OS debugger interface |
| 1026 _h | ARRAY | OS prompt |
| 1027 _h | ARRAY | Module list |
| 1028 _h | ARRAY | Emergency consumer |
| 1029 _h | ARRAY | Error behavior |

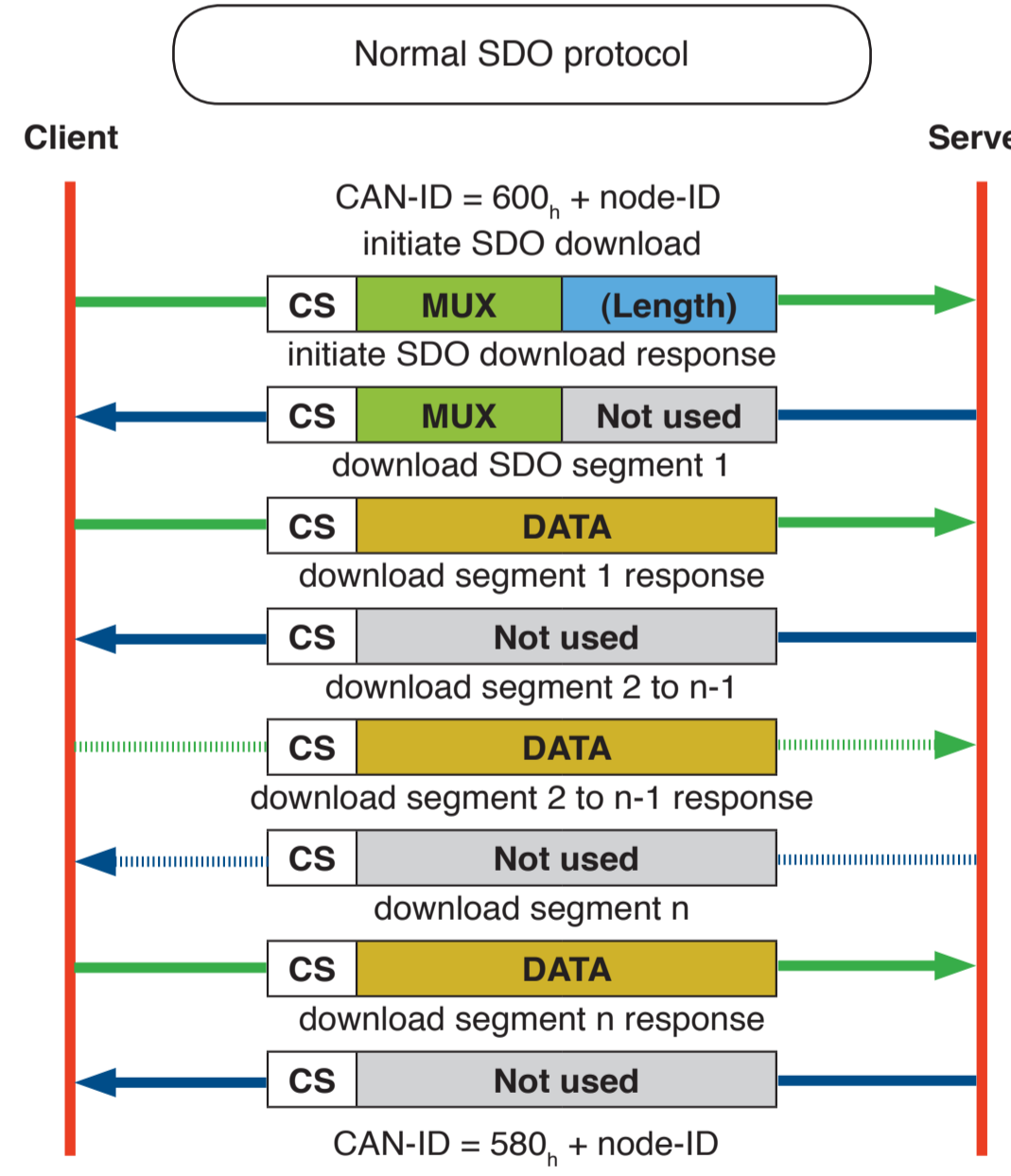
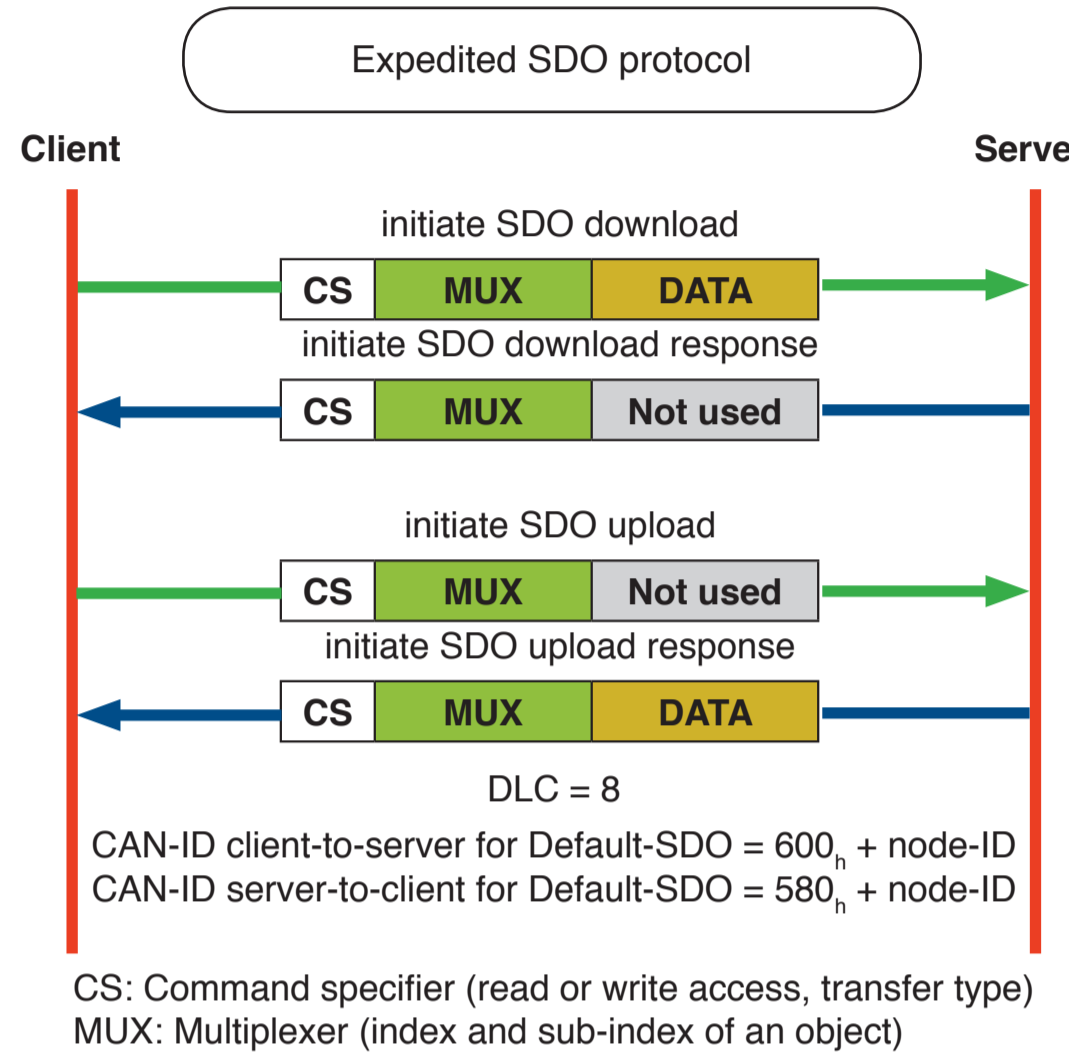
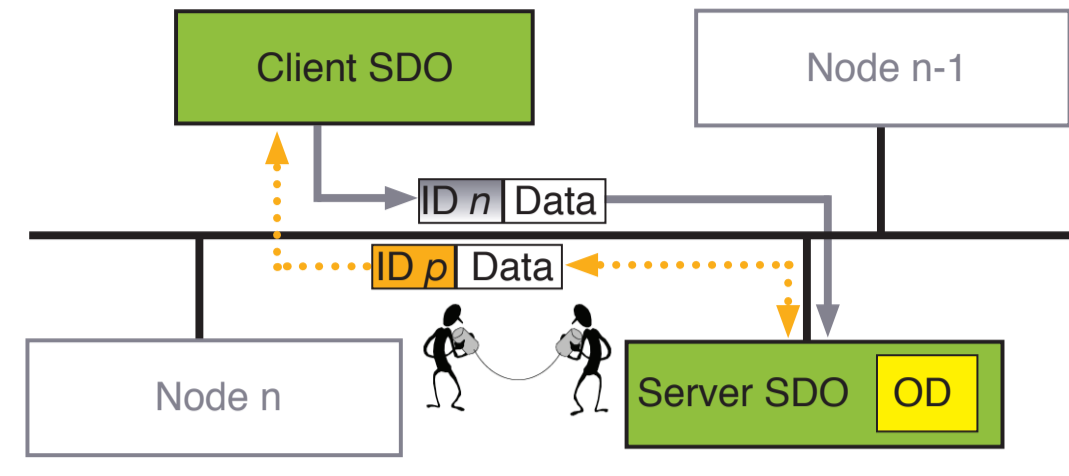
Network management (NMT)



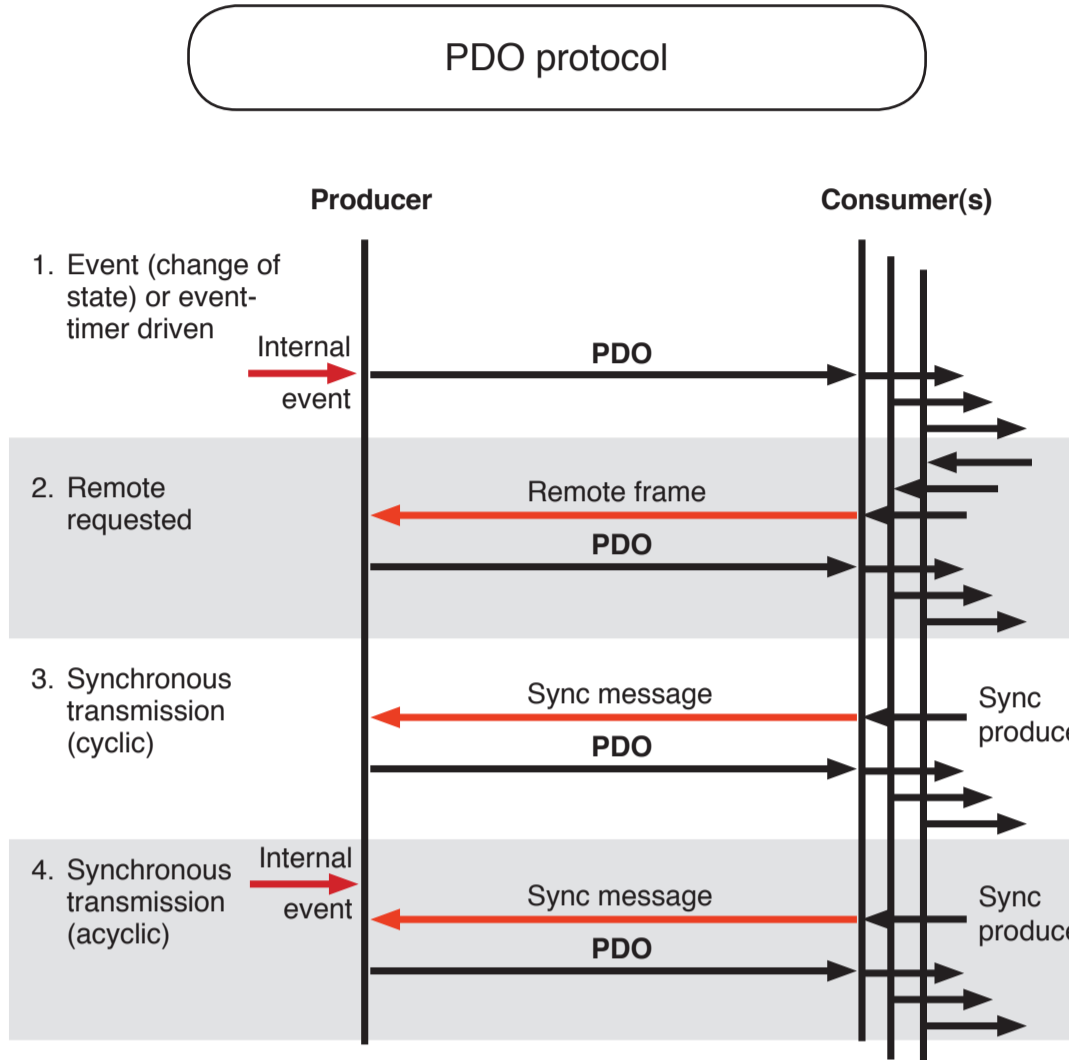
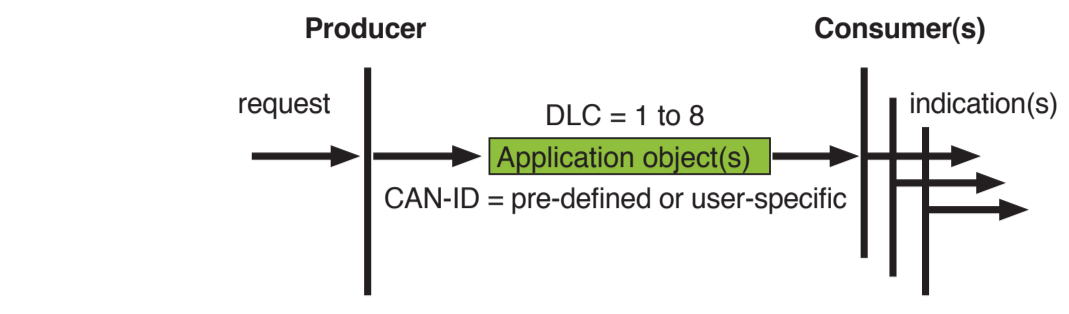
Pre-defined CAN-IDs

| Object | Specification | CAN-ID |
|------------------------------|---------------|---|
| NMT | CiA 301 | 000 _h |
| Global failsafe command | CiA 304 | 001 _h |
| Flying master | CiA 302-2 | 071 _h to 076 _h |
| Indicate active interface | CiA 302-6 | 07F _h |
| Sync | CiA 301 | 080 _h |
| Emergency | CiA 301 | 081 _h to 0FF _h (080 _h + node-ID) |
| Time stamp | CiA 301 | 100 _h |
| Safety-relevant data objects | CiA 301 | 101 _h to 180 _h |
| TPDO 1 | CiA 301 | 181 _h to 1FF _h (180 _h + node-ID) |
| RPDO 1 | CiA 301 | 201 _h to 27F _h (200 _h + node-ID) |
| TPDO 2 | CiA 301 | 281 _h to 2FF _h (280 _h + node-ID) |
| RPDO 2 | CiA 301 | 301 _h to 37F _h (300 _h + node-ID) |

Service data object (SDO)



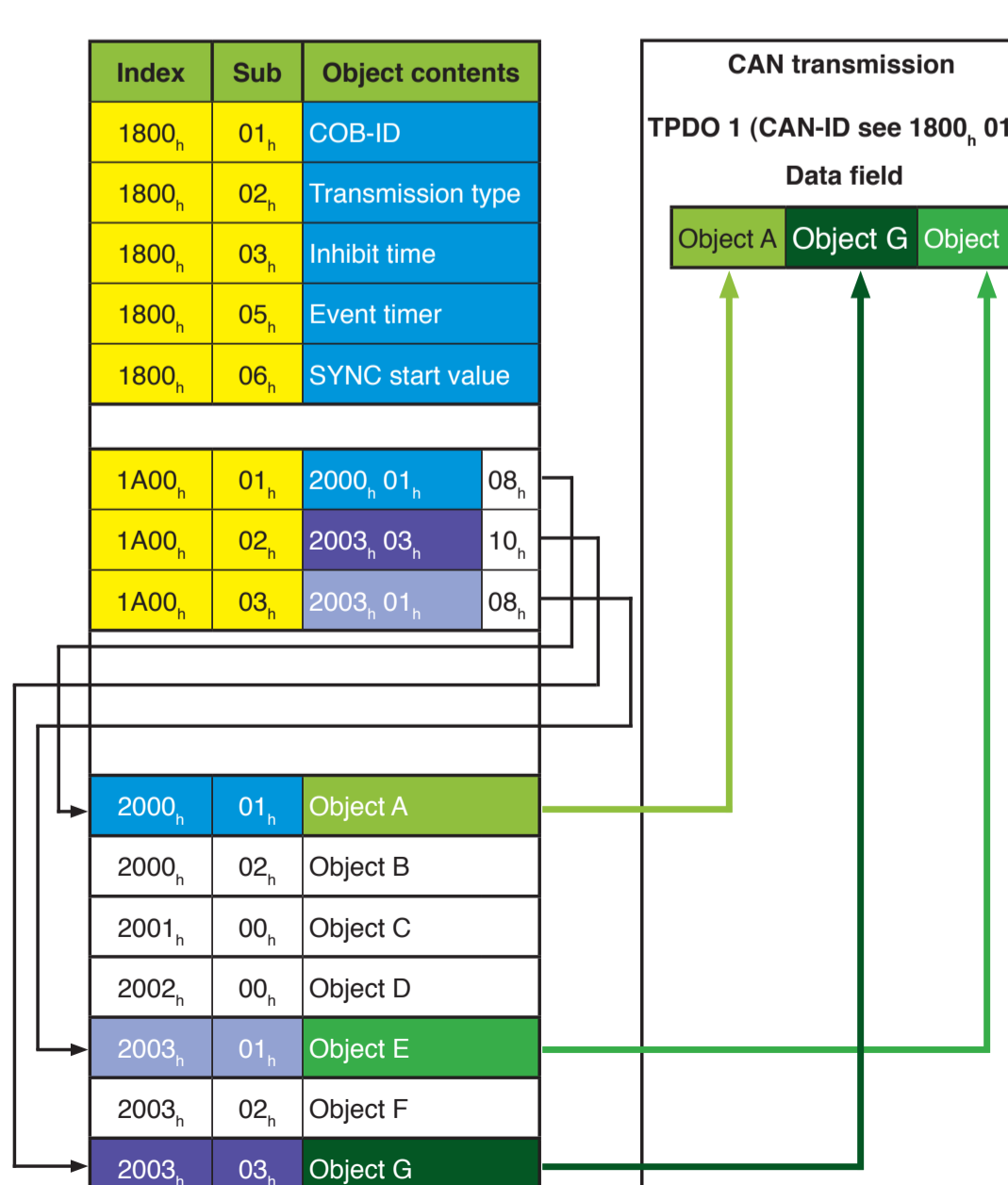
Process data object (PDO)



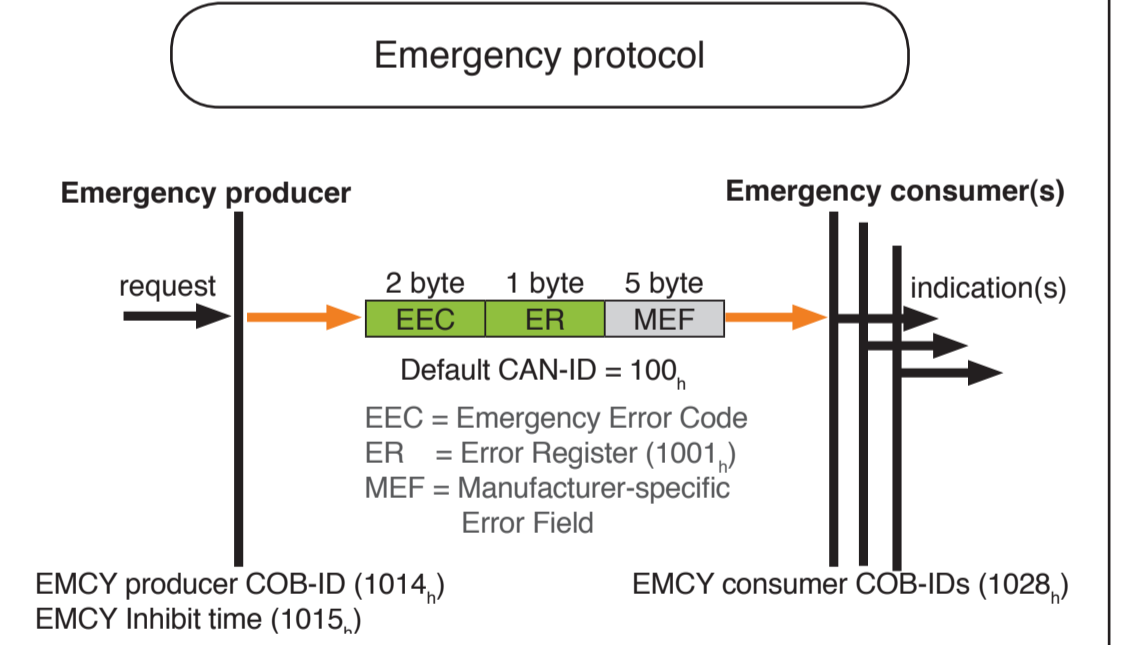
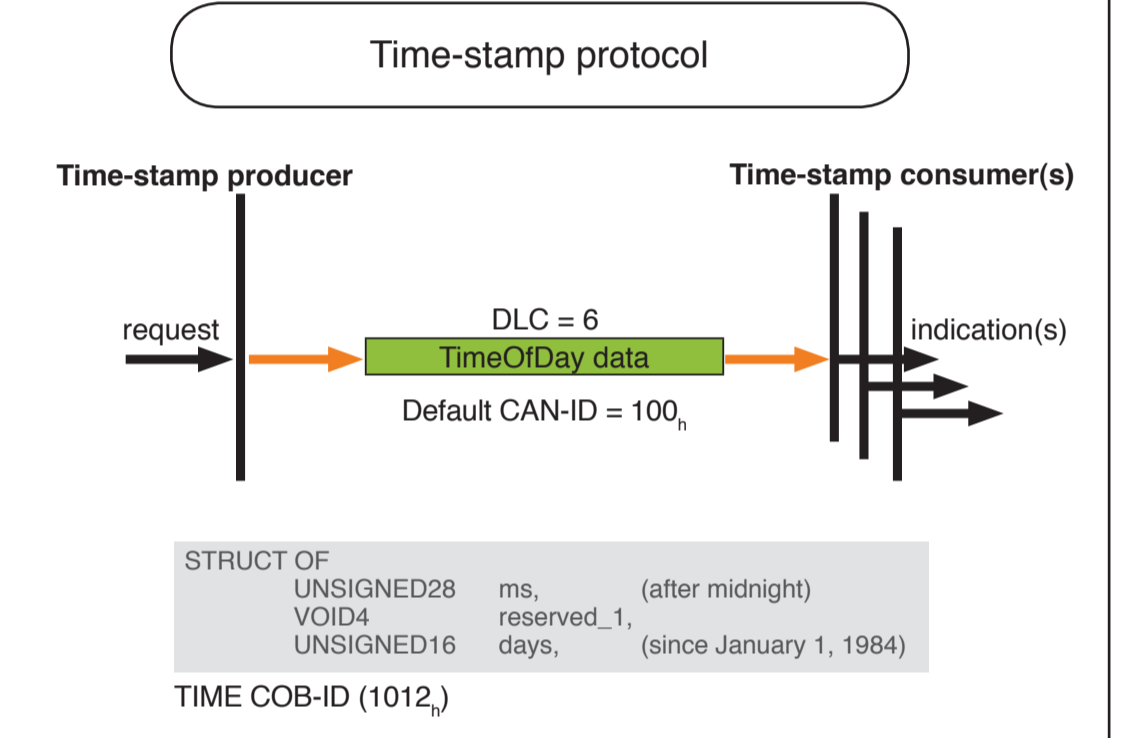
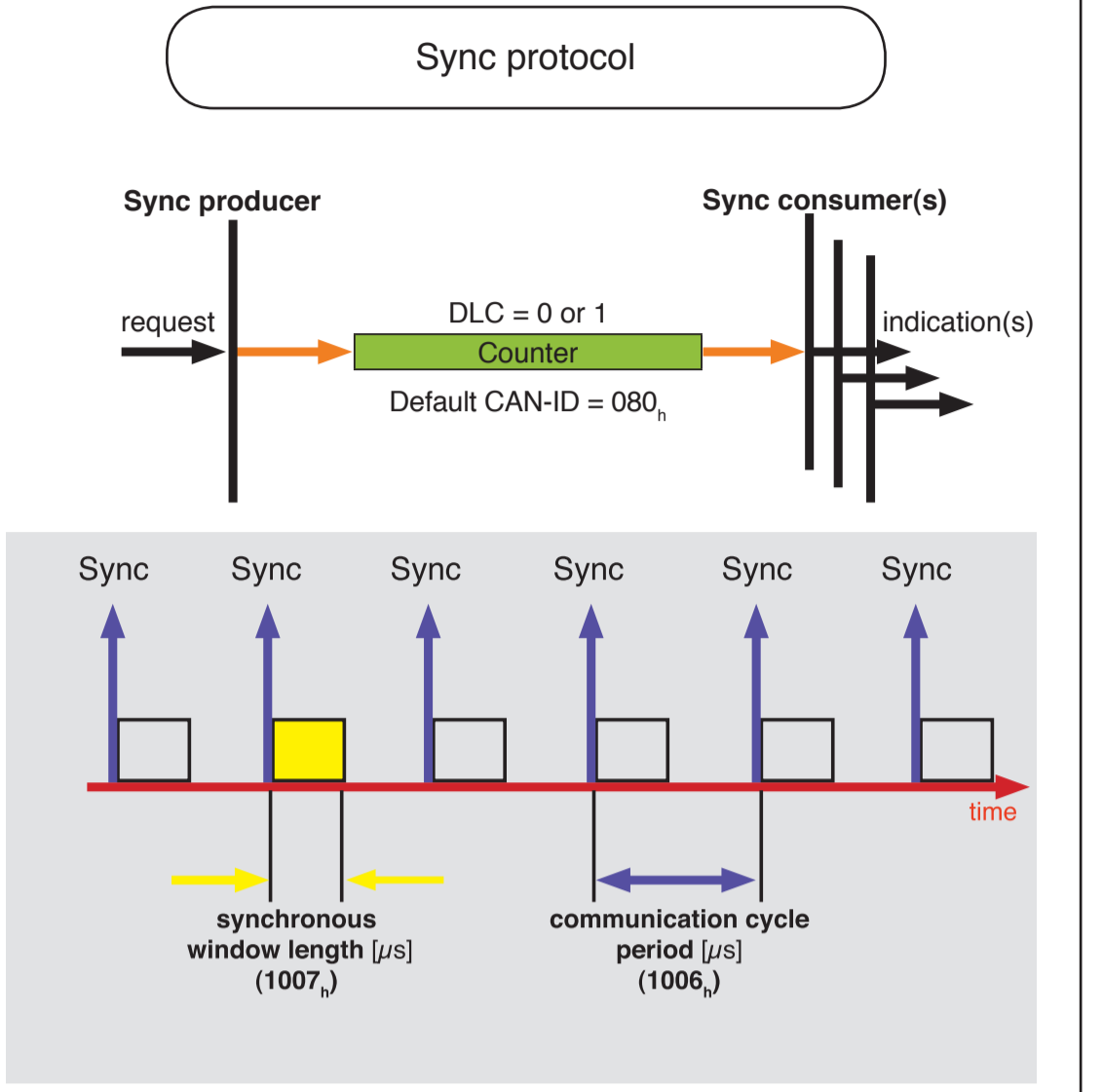
PDO communication parameter

| Index | Sub-index | Description | Data type |
|--|-----------------|-------------------|------------|
| RPDO: 1400 _h to 15FF _h | 00 _h | Number of entries | Unsigned8 |
| | 01 _h | COB-ID | Unsigned32 |
| | 02 _h | Transmission type | Unsigned8 |
| TPDO: 1800 _h to 19FF _h | 03 _h | Inhibit time | Unsigned16 |
| | 04 _h | Reserved | Unsigned8 |
| | 05 _h | Event timer | Unsigned16 |
| | 06 _h | SYNC start value | Unsigned8 |

PDO mapping



Special protocols



Emergency error codes

| Code | Description | Code | Description |
|-------------------|-------------------------|-------------------|------------------------|
| 00xx _h | Error reset or no error | 60xx _h | Device software |
| 10xx _h | Generic error | 61xx _h | internal user |
| 20xx _h | Current | 62xx _h | user data set |
| 21xx _h | device input side | 63xx _h | data set |
| 22xx _h | inside of device | 70xx _h | Additional modules |
| 23xx _h | device output side | 80xx _h | Monitoring |
| 30xx _h | Voltage | 81xx _h | communication |
| 31xx _h | main | 8110 _h | CAN overrun |
| 32xx _h | inside of device | 8120 _h | Error Passive (EP) |
| 33xx _h | output | 8130 _h | Life Guard Error |
| 40xx _h | Temperature | 8140 _h | recovered from Bus-off |
| 41xx _h | ambient | 82xx _h | Protocol error |
| 42xx _h | device | 8210 _h | PDO not processed |
| 50xx _h | Device hardware | 8220 _h | length exceeded |
| | | 90xx _h | External error |
| | | F0xx _h | Additional functions |
| | | FFxx _h | Device-specific |